

# CLARKE<sup>®</sup>

## air



## OIL FREE RIVETER

MODEL NO: CPR2

PART NO: 3110285

## OPERATING & MAINTENANCE INSTRUCTIONS

UK  
CA | CE

DL1222 R2

---

# INTRODUCTION

---

Thank you for purchasing this CLARKE Riveter.

Before attempting to use this product, please read this manual thoroughly and follow the instructions carefully. In doing so you will ensure the safety of yourself and that of others around you, and you can look forward to your purchase giving you long and satisfactory service.

## SPECIFICATION

Model Numbers	CPR2
Rivet Sizes	2.4 to 4.8 mm
Min. Hose Size (ID)	8 mm (5/16")
Operating Pressure	90 psi (6.2 bar)
Air Consumption	0.03 cu.ft/stroke
Air Inlet Size	1/4" BSP Female
Sound Pressure Level (LpA dB)	77.3 dB(A)
Sound Power Level (LwA dB)	88.3 dB(A)
Vibration Levels	2.5 m/s <sup>2</sup>
Weight	1.4 kg

**Please note that the details and specifications contained herein are correct at the time of going to print. However CLARKE International reserve the right to change specifications at any time without prior notice.**

## GUARANTEE

This product is guaranteed against faulty manufacture for a period of 12 months from the date of purchase. Please keep your receipt which will be required as proof of purchase. This guarantee is invalid if the product is found to have been abused or tampered with in any way, or not used for the purpose for which it was intended.

Faulty goods should be returned to their place of purchase, no product can be returned to us without prior permission. This guarantee does not effect your statutory rights.

---

# GENERAL SAFETY RULES

---



CAUTION: FAILURE TO FOLLOW THESE PRECAUTIONS COULD RESULT IN PERSONAL INJURY, AND/OR DAMAGE TO PROPERTY.

---

## WORK ENVIRONMENT

1. Keep the work area clean and tidy.
2. Dress appropriately - Do not wear loose clothing or jewellery. Tie long hair out of the way.
3. Keep children and visitors away - Do not let children handle the tool.
4. Do not operate the tool where there are flammable liquids or gases.

## USE OF POWER TOOLS

1. Stay alert and use common sense - do not operate the tool when you are tired or under the influence of alcohol, drugs or medication.
2. Always wear eye protectors when using the tool - eye protectors must provide protection from flying particles from the front and the side.
3. Always wear ear protectors when using the tool.
4. Do not overreach - keep proper footing and balance at all times.
5. Never use any type of bottled gas as a source of power for the tool.
6. Do not connect the air supply hose with your finger on the trigger.
7. Do not exceed the maximum pressure of 90 psi / 6.2 bar.
8. Check hoses for leaks or worn condition before use, and ensure that all connections are secure.
9. Keep the air supply hose away from heat, oil and sharp edges.
10. Do not use the tool for any purpose than that described in this manual.
11. Do not fit the tool to any stand or clamping device that may damage it.
12. Do not carry out any modifications to the tool.
13. Always disconnect from the air supply when:
  - Performing any maintenance
  - The tool is not in use.
  - The tool will be left unattended.

- Moving to another work area.
- Passing the tool to another person.

14. Never use the tool if it is defective or operating abnormally.

15. The tool should be serviced at regular intervals by qualified service personnel.

16. Avoid damaging the tool, for example by applying excessive force of any kind.

17. Always maintain the tool with care. Keep it clean for the best and safest performance.

18. Quick change couplings should not be located at the tool. They add weight and could fail due to vibration.

19. Do not force or misuse the tool. It will do a better and safer job at the rate for which it was designed.

20. Do not remove any labels. Damaged labels should be replaced.

21. This tool may vibrate with use. Vibration may be harmful to your hands or arms. Stop using the tool if discomfort, a tingling feeling or pain occurs. Seek medical advice before resuming use.

## **TRANSPORTATION**

1. Never carry the tool by the air supply hose.
2. Never carry the tool with your finger on the trigger.

## **STORAGE**

1. When not in use the tool must be disconnected from the air supply and stored in a dry place out of the reach of children.
2. Avoid storing the tool in environments where the temperature is below 0°C.

---

# **THE COMPRESSED AIR SUPPLY**

---

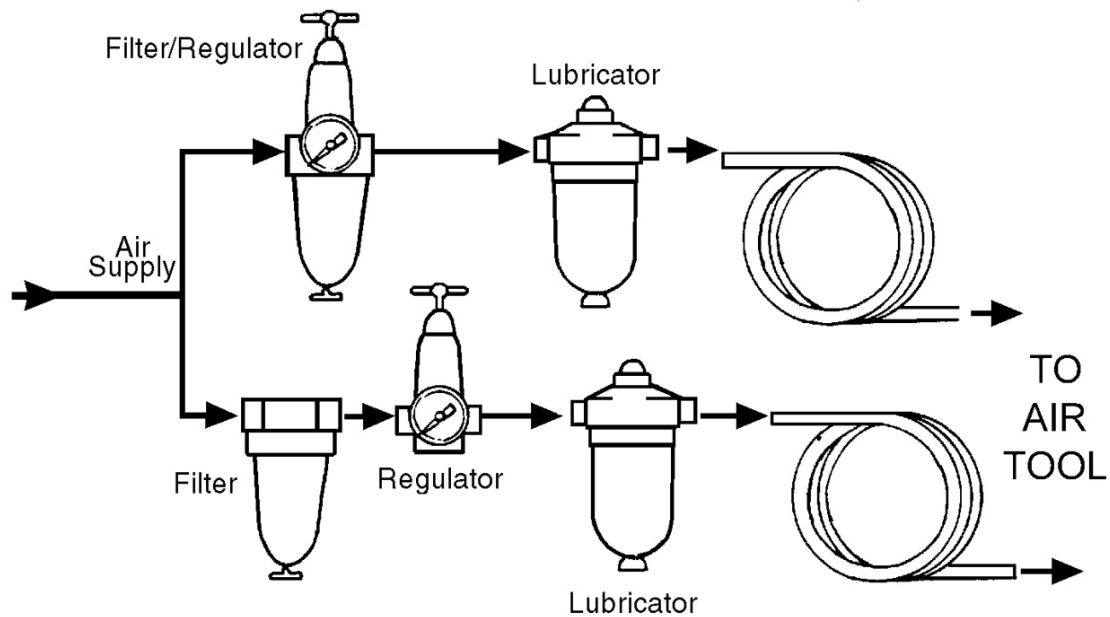
## **AIR SUPPLY REQUIREMENTS**



**WARNING: COMPRESSED AIR CAN BE DANGEROUS. ENSURE THAT YOU ARE FAMILIAR WITH ALL PRECAUTIONS RELATING TO THE USE OF COMPRESSORS AND COMPRESSED AIR SUPPLY.**

- 
- Use only clean, dry, regulated compressed air as a power source.

- Air compressors used with the impact wrench must comply with the appropriate European Community Safety Directives.
- A build-up of moisture or oil in the air compressor will accelerate wear and corrosion in the impact wrench. ensure any moisture is drained from the compressor daily and the inlet filter is kept clean.
- If an unusually long air hose is required, (over 8 metres), the line pressure or the hose inside diameter may need to be increased.
- The air hose must be rated at least 150% of the maximum operating pressure of the tool.



- A typical air line layout is shown above. If an automatic in-line filter/regulator is used, it will keep the tool in good condition, but should be regularly checked and topped up with oil. SAE 10 oil should be used, and the lubricator adjusted to approx 2 drops per minute.
- The minimum hose diameter should be 5/16" (8mm) ID and fittings should have the same internal dimensions.
- Never exceed the maximum operating pressure for the tool. It is recommended that air pressure to this tool does not exceed 90 psi at the tool when running. Higher pressures and unclean air will shorten the life of the tool due to faster wear and is a possible safety hazard.

---

## BEFORE USE

---



**WARNING: COMPRESSED AIR CAN BE DANGEROUS. ENSURE THAT YOU ARE FAMILIAR WITH ALL PRECAUTIONS RELATING TO THE USE OF AIR COMPRESSORS AND COMPRESSED AIR**

---

**NOTE:** Ensure the air supply is turned off.

1. If required, connect an in-line mini oiler to the tool.
  - A mini oiler helps to prolong the life of the air tool.
2. If a mini-oiler is not being used, run a few drops of oil through the tool before use. It can be entered through the air inlet.
3. Connect a suitable hose to the female air inlet.
4. Connect the other end of the hose to the air supply.
5. Turn on the air supply and check for air leaks.
  - Rectify any found before proceeding.

Your air tool is now ready for use.

You can fit a whip hose with a quick fit coupling if required (available from your Clarke dealer.).

---

## OPERATION

---

Before starting work, drain any water from the air tank and blow condensation from the air line. Drain compressor more frequently in hot humid weather.

**Note: item Nos refer to parts list, Page 10.**

Ensure the correct nosepiece (item 1x) is installed for the size of the rivet mandril being used, insert the mandril until the rivet butts snugly against the nosepiece.

Insert the rivet into the workpiece to be secured, pressing firmly depress the trigger. The riveter will 'fire', breaking off the mandril, allowing the riveter to be removed from the workpiece and re-loaded. Spent mandrills will be ejected from the rear of the riveter.

To change the nosepiece, unscrew and remove the installed nosepiece, a slight spring resistance will be felt.

Choose the nosepiece to be installed, push firmly against spring resistance into the head (item 2), screw home and tighten with the wrench supplied.

## DISCONNECTING THE AIR SUPPLY

Do not disconnect the air supply hose until the air supply has been shut down and the compressed air released.

1. Refer to the compressor instruction manual for the procedure to shut down and release the compressed air.
2. Once the pressure has been released, disconnect the air supply hose from the air tool.

Store the tool safely in its box in a dry, secure environment.

---

## MAINTENANCE

---



**WARNING: MAKE SURE THAT THE TOOL IS DISCONNECTED FROM THE AIR SUPPLY BEFORE STARTING ANY CLEANING, OR MAINTENANCE PROCEDURES.**

---

### DAILY

1. Before use, drain water from the compressed air supply.
2. Pour a few drops of CLARKE airline oil, into the air inlet. This should be carried out regardless of whether or not an in-line mini oiler is used. If an inline mini oiler is not used, this procedure should be repeated after every two to three hours of constant use.

### CLEANING

1. Keep the body of the tool clean and free from debris. Grit or gum deposits in the tool may reduce efficiency.

If the riveting action becomes erratic or the riveter operates but fails to form a rivet successfully, it is possible that the jaw housing assembly (items 3 - 8) has worked itself loose and requires adjusting. Should this occur, proceed as follows:

1. Unscrew and remove the head assy (item 2).
2. Using the wrench supplied, hold the jaw housing coupler (item 7), undo the locknut (item 8).
3. Place the 56mm gauge (*on the edge of the wrench provided*), alongside the jaw housing assembly, and screw the jaw assy in or out, so that the lip of the gauge is in line with the end face of the jaw housing (item 3.) Secure in position with the locknut (item 8).

Additionally, following prolonged use, the jaws may fail to grip the mandril effectively, and will therefore need replacing. Dis-assemble the jaw housing assembly, and re-assemble using genuine parts supplied from your nearest CLARKE dealer, ensure you carry out the adjustment above.

## TROUBLESHOOTING

SYMPTOM	PROBLEM	SOLUTION
Tool runs at normal speed but slows down under any load.	<ol style="list-style-type: none"> <li>1. Excessive pressure on tip.</li> <li>2. Motor parts worn.</li> <li>3. Worn or sticking mechanism due to lack of lubricant.</li> </ol>	<ol style="list-style-type: none"> <li>1. Reduce the force applied</li> <li>2. Return to Clarke dealer for repair.</li> <li>3. Drip air tool lubricating oil into air inlet. Allow oil to soak moving parts before using.</li> </ol>
Tool runs slowly. Air flows weakly from exhaust.	<ol style="list-style-type: none"> <li>1. Motor parts jammed with gum/dirt.</li> <li>2. Regulator in closed position.</li> <li>3. General airflow blocked by dirt.</li> </ol>	<ol style="list-style-type: none"> <li>1. Examine inlet air filter for cleanliness.</li> <li>2. Adjust regulator to open position.</li> <li>3. Operate tool in short bursts.</li> </ol>
Tool will not run. Air flows freely from exhaust.	<ol style="list-style-type: none"> <li>1. Motor vanes stuck due to buildup of foreign material.</li> </ol>	<ol style="list-style-type: none"> <li>1. Disconnect air supply and rotate tool assembly manually.</li> <li>2. Try operating tool in short bursts.</li> <li>3. Tap motor housing gently with a rubber mallet.</li> <li>4. Drip a few drops of air tool lubricating oil into air inlet to soak moving parts.</li> </ol>

## PERFORMANCE

Please note that factors other than the tool may effect its operation and efficiency such as reduced compressor output, excessive drain on the airline moisture or restrictions in the air-line, or the use of connectors of improper size or poor condition which will reduce air supply.

Grit or gum deposits inside the tool may also reduce its efficiency. This condition can be corrected by cleaning out the air strainer and flushing out the tool with gum solvent or oil, or failing this, the motor may require dismantling.



\*\*Clarke Air Line Oil (part no. 3050825) is available from your CLARKE dealer.

## **SERVICE AND REPAIRS**

If the tool runs erratically or becomes inefficient although the air supply is in good order, it may be necessary to dismantle the tool. Such servicing and repair work should be carried out by qualified service technicians.

## **STORAGE**

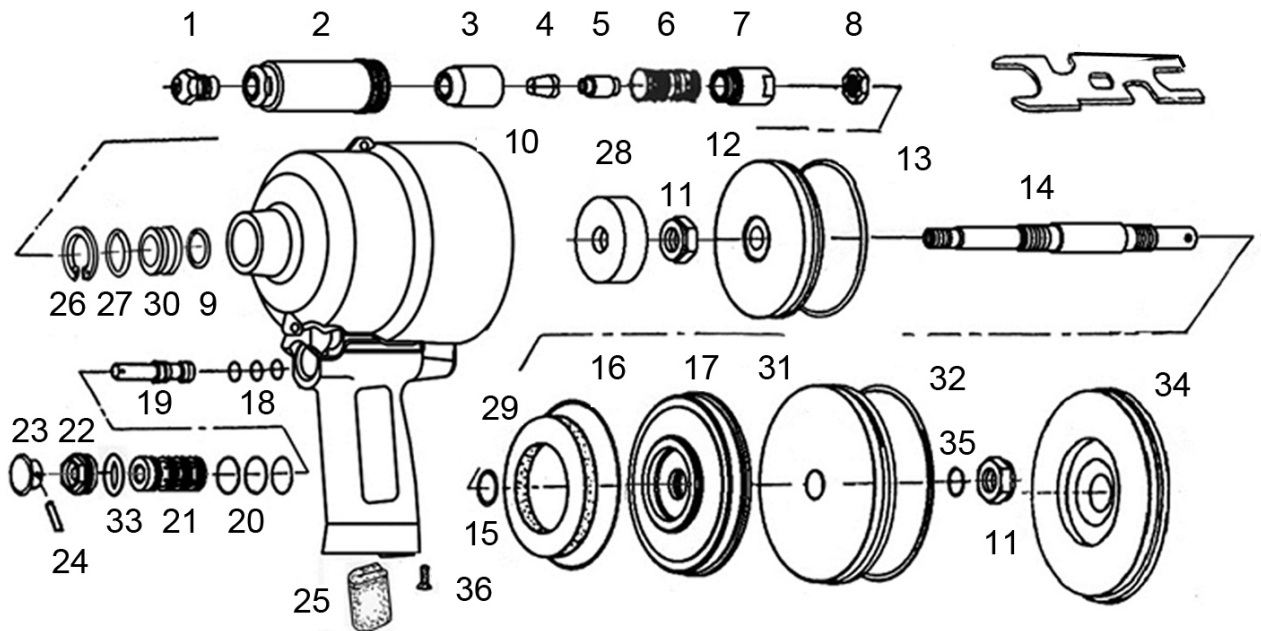
If the tool is to be stored, or is idle for longer than 24 hours, run a few drops of Clarke air line oil into the air inlet, and run the tool for 5 seconds in order to lubricate the internal parts.

When not in use, disconnect from air supply, clean tool and store in a safe, dry place.

## **ACCESSORIES**

A wide range of accessories is available including filter/regulators, lubricators, high-pressure hoses (5 to 50 metres) etc. Contact your CLARKE dealer for further information or CLARKE International Service Department on 01992 565333.

# PARTS LIST & DIAGRAM



No	Description
1	Nosepiece (3/16", 5/32", 1/8" 3/32")
2	Head
3	Jaw Housing
4	Jaw (2)
5	Jaw Pusher
6	Spring
7	Jaw HSG Coupler
8	Nut
9	O-Ring Seal
10	Housing
11	Nut (2)
12	Front Piston
13	O-Ring Seal
14	Piston Rod
15	X-Ring Seal
16	O-Ring
17	Cylinder Cap
18	O-Ring Seal (3)

No	Description
19	Valve Stem
20	O- Ring Seal (4)
21	Valve Bushing
22	Valve Screw
23	Bottom cap
24	Pin
25	Silencer
26	Snap Ring
27	O-Ring
28	Damping Ring
29	Damping Ring
30	Bush
31	Rear Piston
32	O-Ring Seal
33	O-Ring
34	Housing Cap (alum)
35	O-Ring
36	Screw

# DECLARATION OF CONFORMITY



Hemroll Street, Epping, Essex CM16 4LG

## DECLARATION OF CONFORMITY

This is an important document and should be retained.

We hereby declare that this product(s) complies with the following statutory requirement(s):

*Supply of Machinery (Safety) Regulations 2008*

The following standards have been applied to the product(s):

EN 792-1 + A1:2008, EN ISO 28927:2019, EN ISO 11148-4:2012

The technical documentation required to demonstrate that the product(s) meet(s) the requirement(s) of the aforementioned legislation has been compiled and is available for inspection by the relevant enforcement authorities.

The UKCA mark was first applied in: 2022

Product Description: Oil Free Air Rivet Gun  
Model number(s): CPR2  
Serial / batch Number: N/A  
Date of Issue: 30/11/2022

Signed:

J.A. Clarke  
Director



Fitzwilliam Hall, Fitzwilliam Place, Dublin 2

## DECLARATION OF CONFORMITY

This is an important document and should be retained.

We hereby declare that this product(s) complies with the following directive(s):

2006/42/EC *Machinery Directive*

The following standards have been applied to the product(s):

EN 792-1 + A1:2008, EN ISO 28927:2019, EN ISO 11148-4:2012

The technical documentation required to demonstrate that the product(s) meet(s) the requirement(s) of the aforementioned directive(s) has been compiled and is available for inspection by the relevant enforcement authorities.

The CE mark was first applied in: 2009

Product Description: Oil Free Air Rivet Gun  
Model number(s): CPR2  
Serial / batch Number: N/A  
Date of Issue: 30/11/2022

Signed:

J.A. Clarke  
Director

# A SELECTION FROM THE VAST RANGE OF

# Clarke®

## QUALITY PRODUCTS



**AIR COMPRESSORS**  
From DIY to industrial, Plus air tools, spray guns and accessories.

**GENERATORS**  
Prime duty or emergency standby for business, home and leisure.

**POWER WASHERS**  
Hot and cold, electric and engine driven - we have what you need

**WELDERS**  
Mig, Arc, Tig and Spot. From DIY to auto/industrial.

**METALWORKING**  
Drills, grinders and saws for DIY and professional use.

**WOODWORKING**  
Saws, sanders, lathes, mortisers and dust extraction.

**HYDRAULICS**  
Cranes, body repair kits, transmission jacks for all types of workshop use.

**WATER PUMPS**  
Submersible, electric and engine driven for DIY, agriculture and industry.

**POWERTOOLS**  
Angle grinders, cordless drill sets, saws and sanders.

**STARTERS/CHARGERS**  
All sizes for car and commercial use.



## PARTS & SERVICE: 0208 988 7400

**Parts Enquiries**  
[Parts@clarkeinternational.com](mailto:Parts@clarkeinternational.com)

**Servicing & Technical Enquiries**  
[Service@clarkeinternational.com](mailto:Service@clarkeinternational.com)

SALES: UK 01992 565333 or Export 00 44 (0)1992 565335

**Clarke** INTERNATIONAL Hemnall Street, Epping, Essex CM16 4LG  
[www.clarkeinternational.com](http://www.clarkeinternational.com)